

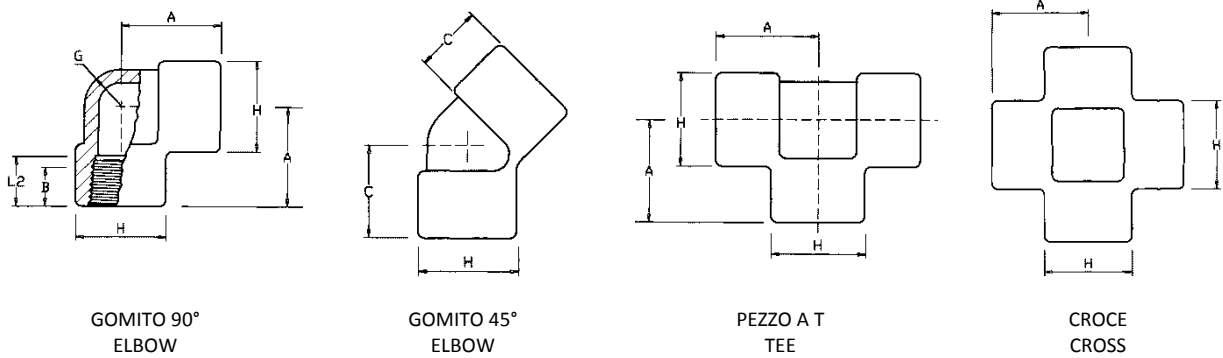
Raccorderia forgiata e da barra
Forged and bar stock fittings



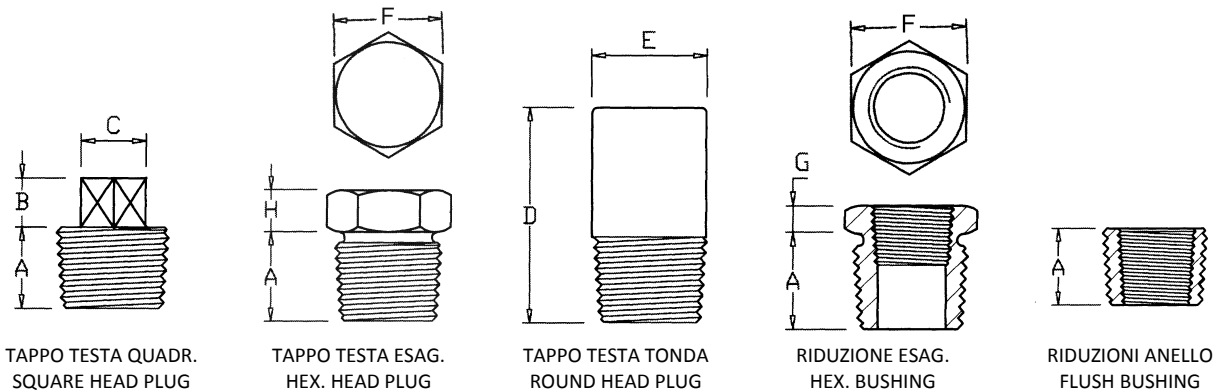
Raccorderia forgiata

Forged fittings

In accordo - In according
ANSI B16.11 - BS 3799 SERIE 3000-6000 - ANSI B16.11 - BS 3799 SERIES 3000-6000



DN NPS	A			C			H			G			Lungh.filetto Thread lenght	
	2000	3000	6000	2000	3000	6000	2000	3000	6000	2000	3000	6000	B	L ₂
1/8"	21	21	25	17	17	19	22	22	25	3.0	3.0	6.5	6.5	6.5
1/4"	21	25	29	17	19	22	22	25	33	3.0	3.5	6.5	8.0	10.0
3/8"	25	29	33	19	22	25	25	33	38	3.0	3.5	7.0	9.0	10.5
1/2"	29	33	38	22	25	29	33	38	46	3.0	4.0	8.0	11.0	13.5
3/4"	33	38	44	25	29	33	38	46	56	3.0	4.5	8.5	12.5	14.0
1"	38	44	51	29	33	35	46	56	62	3.5	5.0	10.0	14.5	17.5
1"1/4	44	51	60	33	35	43	56	62	75	4.0	5.5	10.5	17.0	18.0
1"1/2	51	60	64	35	43	44	62	75	84	4.0	5.5	11.0	18.0	18.5
2"	60	64	83	43	45	52	75	84	102	4.5	7.0	12.0	19.0	19.0



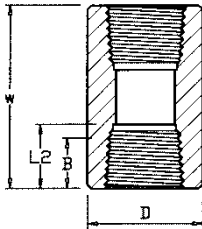
DN NPS	Lengh (Minimun) A	Tappi testa quadra Square head plug		Tappi testa tonda Round head plug		Tappi testa esag. e riduzioni Hex. head plug and bushing		
		B	C	E	D	F	G	H
1/8"	9.5	6	7.0	10	35	11.0		6
1/4"	11.0	6	9.5	13	41	16.0	3	6
3/8"	12.5	8	11.0	17	41	17.5	4	8
1/2"	14.5	10	14.5	21	44	22.0	5	8
3/4"	16.0	11	16.0	27	44	27.0	6	10
1"	19.0	13	20.5	33	51	35.0	6	10
1"1/4	20.5	14	24.0	43	51	44.5	7	14
1"1/2	20.5	16	28.5	48	51	51.0	8	16
2"	22.0	17	33.5	60	64	63.5	9	17

Raccorderia forgiata

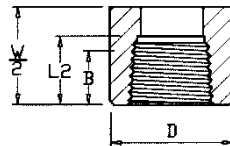
Forged fittings

In accordo - In according

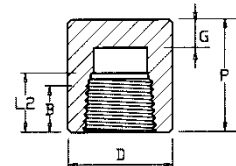
ANSI B16.11 - BS 3799 SERIE 3000-6000 - ANSI B16.11 - BS 3799 SERIES 3000-6000



MANICOTTO
COUPLING

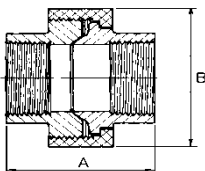


MEZZO MANICOTTO
HALF COUPLING

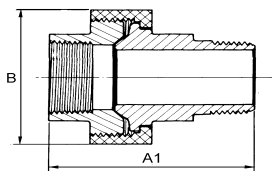


TAPPO FEMMINA
CAPS

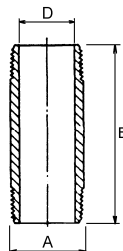
DN NPS	W		P		D		G min.		Length of thread min.	
	3000 & 6000	3000	6000	3000	6000	3000	6000	B	L ₂	
1/8"	32	19		16	22	5.0		6.5	6.5	
1/4"	35	25	27	19	25	5.0	6.5	8.0	10.0	
3/8"	38	25	27	22	32	5.0	6.5	9.0	10.5	
1/2"	48	32	33	29	38	6.5	8.0	11.0	13.5	
3/4"	51	37	38	35	44	6.5	8.0	12.5	14.0	
1"	60	41	43	44	57	9.5	11.0	14.5	17.5	
1"1/4	67	44	46	57	64	9.5	11.0	17.0	18.0	
1"1/2	79	44	48	64	76	11.0	12.5	18.0	18.5	
2"	86	48	51	76	92	12.5	16.0	19.0	19.0	



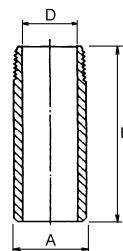
BOCCHETTONE F/F
UNION FEM./FEM.



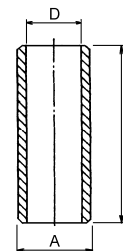
BOCCHETTONE M/F
UNION MALE/FEMALE



NPT x NPT



NPT x PE



PE x PE

NIPPLI DA TUBO
PIPE NIPPLES

DN NPS	A		A ₁		B	
	3000	6000	3000	6000	3000	6000
1/8"	46	52	42	63	32	45
1/4"	46	56	57	68	32	48
3/8"	52	60	63	80	37	56
1/2"	56	62	68	87	43	68
3/4"	60	70	80	96	51	80
1"	62	80	87	104	61	93
1"1/4	70	90	96	118	70	112
1"1/2	80		104		83	
2"	90		118		96	

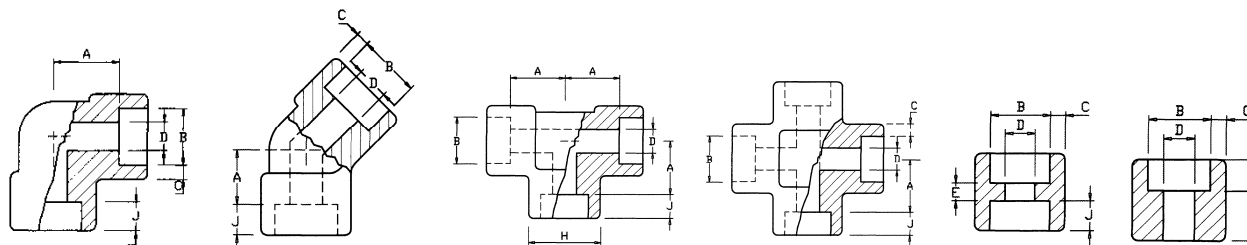
DN NPS	A	B	D			
			SCH.40	SCH.80	SCH.160	SCH.XXS
1/8"	10.3	50	6.8	5.5		
1/4"	13.7	100	9.2	7.7		
3/8"	17.2	100	12.5	10.7		
1/2"	21.3	100	15.7	13.9	11.7	6.4
3/4"	26.7	125	21.3	18.8	15.6	11.1
1"	33.4	150	26.6	24.3	20.7	15.2
1"1/4	42.2	175	38.6	32.5	29.5	22.8
1"1/2	48.3	200	40.9	38.1	34.0	28.0
2"	60.3	200	52.4	49.3	42.8	38.16

Raccorderia forgiata

Forged fittings

In accordo - In according

ANSI B16.11 - BS 3799 SERIE 3000-6000 - ANSI B16.11 - BS 3799 SERIES 3000-6000



DN Diametro Nominale Nominal pipe size	B Dimens. Tasca SW Dimens.	D			Dal centro a base tasca			A			E Manicotto Coupling	F Mezzo Manicotto Half coupling
		Diametro foro - Bore diameter			Gomiti 90° - Tee - Croci 90° Elbow - Tees - Crosses			Center to bottom of socket Gomiti 45° - 45° Elbow				
		Classe - Rating			Classe - Rating			Classe - Rating				
		3000	6000	9000	3000	6000	9000	3000	6000	9000		
1/8"	10.90	7.6	4.8	-	12	12	-	9	9	-	8	17
	10.65	6.1	3.2	-	10	10	-	7	7	-	5	15
1/4"	14.35	10.0	7.1	-	12	17	-	9	9	-	8	17
	14.10	8.5	5.6	-	10	13	-	7	7	-	5	15
3/8"	17.80	13.3	9.9	-	15	17	-	9	13	-	9	19
	17.55	11.8	8.4	-	12	14	-	6	10	-	3	16
1/2"	21.95	16.6	12.5	7.2	17	21	27	13	14	17	13	24
	21.70	15.0	11.0	5.6	14	18	24	10	11	14	6	21
3/4"	27.30	21.7	16.3	11.8	21	24	30	14	16	21	13	25
	27.05	20.2	14.8	10.3	18	21	27	11	13	17	6	22
1"	34.05	27.4	21.5	16.0	24	29	34	16	19	23	17	31
	33.80	25.9	19.9	14.5	20	25	30	12	15	19	9	27
1" 1/4	42.80	35.8	30.2	23.5	29	34	37	19	23	24	17	32
	42.55	34.3	28.7	22.0	25	30	33	15	19	20	9	28
1" 1/2	48.90	41.7	34.7	28.7	34	40	40	23	27	28	17	34
	48.65	40.1	33.2	27.2	30	36	36	19	23	23	9	30
2"	61.35	53.5	43.6	38.9	40	43	56	27	31	31	23	43
	61.10	51.7	42.1	37.4	36	39	52	23	27	26	15	39

DN Diametro Nominale Nominal pipe size	J Profond. Tasca SW depth	C						G		
		Spessore tasca - SW thickness						Spessore corpo - Body wall thickness		
		Classe - Rating						Classe - Rating		
		3000		6000		9000		3000	6000	9000
		Average	Minimum	Average	Minimum	Average	Minimum	Minimum	Minimum	Minimum
1/8"	10	3.20	3.20	3.95	3.45	-	-	2.40	3.15	-
1/4"	10	3.80	3.30	4.60	4.00	-	-	3.00	3.70	-
3/8"	10	4.00	3.50	5.05	4.35	-	-	3.20	4.00	-
1/2"	10	4.65	4.10	5.95	5.20	9.35	8.20	3.75	4.80	7.45
3/4"	13	4.90	4.25	6.95	6.05	9.80	8.55	3.90	5.55	7.80
1"	13	5.70	5.00	7.90	6.95	11.40	9.95	4.55	6.35	9.10
1" 1/4	13	6.05	5.30	7.90	6.95	12.15	10.60	4.85	6.35	9.70
1" 1/2	13	6.35	5.55	8.90	7.80	12.70	11.15	5.10	7.15	10.15
2"	16	6.95	6.05	10.90	9.50	13.85	12.15	5.55	8.75	12.15