

Anelli di drenaggio & dischi reversibili
Drip ring & spectacle flanges

Anelli di Drenaggio R.F.

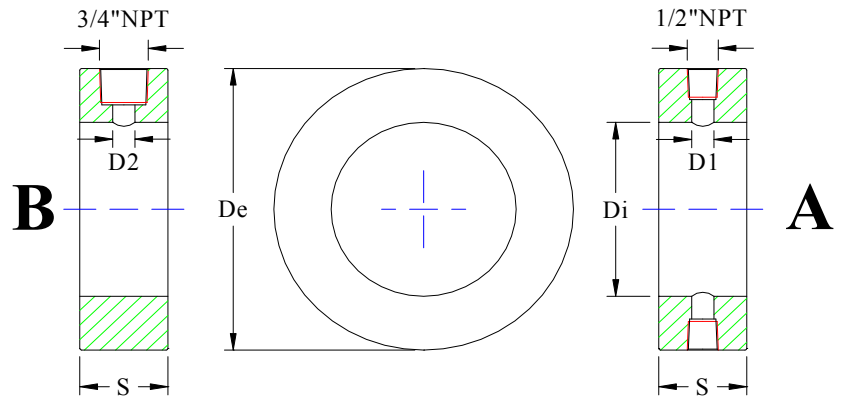
Drip Rings R.F.

Tipo "A" "No. 2 Fori 1/2" NPT

Type "A" "No. 2 Holes 1/2" NPT

Tipo "B" "No. 1 Foro 3/4" NPT

Type "B" "No. 1 Hole 3/4" NPT



S.150 Lbs						
Dimensions ANSI B 31.3 / B 16.5						
DNP	De	Di	S	d1	d2	Kg
1/2"	44.5	15.8	38.1	15.9	15.9	0.4
3/4"	54.0	21.0	38.1	15.9	15.9	0.5
1"	63.5	26.6	38.1	15.9	15.9	0.7
1.1/2"	82.5	40.9	38.1	15.9	15.9	1.2
2"	101.5	54.8	38.1	15.9	15.9	1.7
3"	133.5	82.8	38.1	15.9	15.9	2.5
4"	171.5	108.2	38.1	15.9	15.9	4.1
6"	219.0	161.5	38.1	15.9	15.9	5.1
8"	274.5	211.6	38.1	15.9	15.9	7.4
10"	336.5	264.7	38.1	15.9	15.9	10.1
12"	406.5	314.7	38.1	15.9	15.9	15.5
14"	447.5	346.0	38.1	15.9	15.9	18.9
16"	511.0	396.8	38.1	15.9	15.9	24.0
18"	546.0	447.6	38.1	15.9	15.9	23.0
20"	603.0	469.9	38.1	15.9	15.9	33.0
22"	657.5	547.7	38.1	15.9	15.9	31.0
24"	714.5	596.9	38.1	15.9	15.9	36.0

S.300 Lbs						
Dimensions ANSI B 31.3 / B 16.5						
DNP	De	Di	S	d1	d2	Kg
1/2"	51.0	15.8	38.1	15.9	15.9	0.5
3/4"	63.5	21.0	38.1	15.9	15.9	0.8
1"	70.0	26.6	38.1	15.9	15.9	0.9
1.1/2"	92.0	40.9	38.1	15.9	15.9	1.6
2"	108.0	54.8	38.1	15.9	15.9	2.0
3"	146.0	82.8	38.1	15.9	15.9	3.4
4"	178.0	108.2	38.1	15.9	15.9	4.6
6"	247.5	161.5	38.1	15.9	15.9	8.2
8"	305.0	211.6	38.1	15.9	15.9	11.3
10"	359.0	264.7	38.1	15.9	15.9	13.7
12"	419.0	314.7	38.1	15.9	15.9	18.0
14"	482.5	346.0	38.1	15.9	15.9	26.0
16"	536.5	396.8	38.1	15.9	15.9	30.0
18"	594.0	447.6	38.1	15.9	15.9	35.0
20"	651.0	469.9	38.1	15.9	15.9	47.0
22"	701.5	547.7	38.1	15.9	15.9	45.0
24"	771.5	596.9	38.1	15.9	15.9	56.0

S.600 Lbs						
Dimensions ANSI B 31.3 / B 16.5						
DNP	De	Di	S	d1	d2	Kg
1/2"	51.0	15.8	38.1	15.9	15.9	0.5
3/4"	63.5	21.0	38.1	15.9	15.9	0.8
1"	70.0	26.6	38.1	15.9	15.9	0.9
1.1/2"	92.0	40.9	38.1	15.9	15.9	1.6
2"	108.0	54.8	38.1	15.9	15.9	2.0
3"	146.0	82.8	38.1	15.9	15.9	3.4
4"	190.5	108.2	38.1	15.9	15.9	5.7
6"	263.5	161.5	38.1	15.9	15.9	10.1
8"	317.5	211.6	38.1	15.9	15.9	13.1
10"	397.0	264.7	38.1	15.9	15.9	20.0
12"	454.0	314.7	38.1	15.9	15.9	25.0
14"	489.0	346.0	38.1	15.9	15.9	28.0
16"	562.0	396.8	38.1	15.9	15.9	37.0
18"	609.5	447.6	38.1	15.9	15.9	40.0
20"	679.5	469.9	38.1	15.9	15.9	56.0
22"	730.5	547.7	38.1	15.9	15.9	45.0
24"	787.5	596.9	38.1	15.9	15.9	61.0

S.900 Lbs						
Dimensions ANSI B 31.3 / B 16.5						
DNP	De	Di	S	d1	d2	Kg
1/2"	-	-	-	-	-	-
3/4"	-	-	-	-	-	-
1"	-	-	-	-	-	-
1.1/2"	-	-	-	-	-	-
2"	-	-	-	-	-	-
3"	165.0	82.8	38.1	15.9	15.9	5.4
4"	203.0	108.2	38.1	15.9	15.9	6.5
6"	285.5	161.5	38.1	15.9	15.9	10.0
8"	355.5	211.6	38.1	15.9	15.9	15.6
10"	432.0	264.7	38.1	15.9	15.9	19.0
12"	495.5	314.7	38.1	15.9	15.9	24.0
14"	517.5	346.0	38.1	15.9	15.9	35.0
16"	571.5	396.8	38.1	15.9	15.9	41.0
18"	635.0	447.6	38.1	15.9	15.9	57.0
20"	695.0	469.9	38.1	15.9	15.9	74.0
22"	-	-	-	-	-	-
24"	835.0	596.9	38.1	15.9	15.9	105.0

S.1500 Lbs						
Dimensions ANSI B 31.3 / B 16.5						
DNP	De	Di	S	d1	d2	Kg
1/2"	60.5	15.8	38.1	15.9	15.9	0.8
3/4"	66.5	21.0	38.1	15.9	15.9	0.9
1"	76.0	26.6	38.1	15.9	15.9	1.1
1.1/2"	95.0	40.9	38.1	15.9	15.9	1.7
2"	139.5	54.8	38.1	15.9	15.9	3.8
3"	171.5	82.8	38.1	15.9	15.9	5.2
4"	206.5	108.2	38.1	15.9	15.9	7.2
6"	279.5	161.5	38.1	15.9	15.9	12.2
8"	349.0	211.6	38.1	15.9	15.9	18.1
10"	432.0	264.7	38.1	15.9	15.9	27.5
12"	517.5	314.7	38.1	15.9	15.9	38.0
14"	574.5	346.0	38.1	15.9	15.9	49.0
16"	638.0	396.8	38.1	15.9	15.9	58.0
18"	701.5	447.6	38.1	15.9	15.9	68.0
20"	752.5	469.9	38.1	15.9	15.9	81.0
22"	-	-	-	-	-	-
24"	898.5	596.9	38.1	15.9	15.9	105.0

S.2500 Lbs						
Dimensions ANSI B 31.3 / B 16.5						
DNP	De	Di	S	d1	d2	Kg
1/2"	66.5	15.8	38.1	15.9	15.9	0.9
3/4"	73.0	21.0	38.1	15.9	15.9	1.1
1"	82.5	26.6	38.1	15.9	15.9	1.4
1.1/2"	114.5	40.9	38.1	15.9	15.9	2.6
2"	143.0	54.8	38.1	15.9	15.9	4.0
3"	193.5	82.8	38.1	15.9	15.9	7.2
4"	232.0	108.2	38.1	15.9	15.9	9.8
6"	314.5	161.5	38.1	15.9	15.9	17.0
8"	384.0	211.6	38.1	15.9	15.9	24.0
10"	473.0	264.7	38.1	15.9	15.9	36.0
12"	546.0	314.7	38.1	15.9	15.9	46.0
14"	-	-	-	-	-	-
16"	-	-	-	-	-	-
18"	-	-	-	-	-	-
20"	-	-	-	-	-	-
22"	-	-	-	-	-	-
24"	-	-	-	-	-	-

Anelli di Drenaggio R.J.

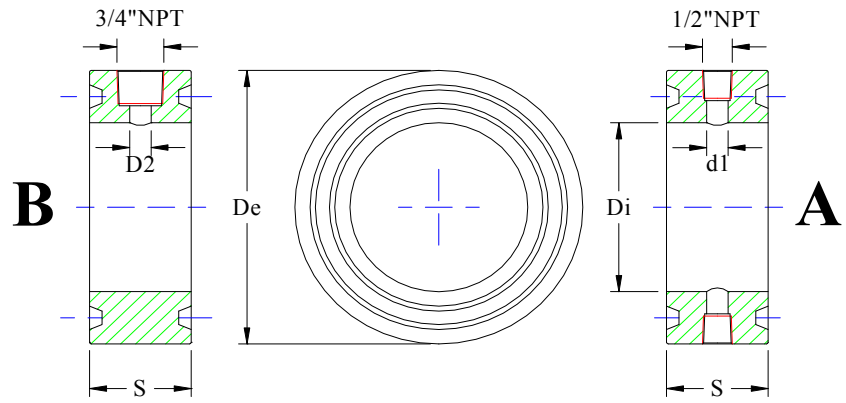
Drip Rings R.J.

Tipo " A " No. 2 Fori 1/2" NPT

Type " A " No. 2 Holes 1/2" NPT

Tipo " B " No. 1 Foro 3/4" NPT

Type " B " No. 1 Hole 3/4" NPT



S.150 Lbs						
Dimensions ANSI B 31.3 / B 16.5						
DNP	De	Di	S	d1	d2	Kg
1/2"	-	-	-	-	-	-
3/4"	-	-	-	-	-	-
1"	63.5	26.6	47.6	15.9	15.9	0.9
1.1/2	82.5	40.9	47.6	15.9	15.9	1.5
2"	101.5	54.8	47.6	15.9	15.9	2.1
3"	133.5	82.8	47.6	15.9	15.9	3.2
4"	171.5	108.2	47.6	15.9	15.9	5.1
6"	219.0	161.5	47.6	15.9	15.9	6.4
8"	273.0	211.6	47.6	15.9	15.9	8.7
10"	330.0	264.7	47.6	15.9	15.9	11.4
12"	406.5	314.7	47.6	15.9	15.9	19.4
14"	425.5	346.0	47.6	15.9	15.9	17.9
16"	482.5	396.8	47.6	15.9	15.9	22.0
18"	546.0	447.6	47.6	15.9	15.9	28.0
20"	597.0	469.9	47.6	15.9	15.9	39.0
22"	647.7	547.7	47.6	15.9	15.9	35.0
24"	711.0	596.9	47.6	15.9	15.9	43.0

S.300 Lbs						
Dimensions ANSI B 31.3 / B 16.5						
DNP	De	Di	S	d1	d2	Kg
1/2"	51.0	15.8	46.0	15.9	15.9	0.6
3/4"	63.5	21.0	47.6	15.9	15.9	1.0
1"	70.0	26.6	47.6	15.9	15.9	1.2
1.1/2	90.5	40.9	47.6	15.9	15.9	1.9
2"	108.0	54.8	50.8	15.9	15.9	2.7
3"	146.0	82.8	50.8	15.9	15.9	4.5
4"	174.5	108.2	50.8	15.9	15.9	5.8
6"	241.5	161.5	50.8	15.9	15.9	10.0
8"	301.5	211.6	50.8	15.9	15.9	14.4
10"	355.5	264.7	50.8	15.9	15.9	17.6
12"	413.0	314.7	50.8	15.9	15.9	22.0
14"	457.0	346.0	50.8	15.9	15.9	27.0
16"	508.0	396.8	50.8	15.9	15.9	31.0
18"	574.5	447.6	50.8	15.9	15.9	40.0
20"	635.0	469.9	54.0	15.9	15.9	58.0
22"	686.0	547.7	57.2	15.9	15.9	62.0
24"	749.5	596.9	57.2	15.9	15.9	72.0

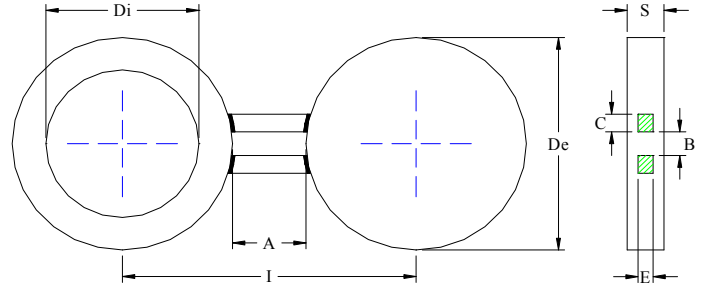
S.600 Lbs						
Dimensions ANSI B 31.3 / B 16.5						
DNP	De	Di	S	d1	d2	Kg
1/2"	51.0	15.8	46.0	15.9	15.9	0.6
3/4"	63.5	21.0	47.6	15.9	15.9	1.0
1"	70.0	26.6	47.6	15.9	15.9	1.2
1.1/2	90.5	40.9	47.6	15.9	15.9	1.9
2"	108.0	54.8	50.8	15.9	15.9	2.7
3"	146.0	82.8	50.8	15.9	15.9	4.5
4"	174.5	108.2	50.8	15.9	15.9	5.8
6"	241.5	161.5	50.8	15.9	15.9	10.0
8"	301.5	211.6	50.8	15.9	15.9	14.4
10"	355.5	264.7	50.8	15.9	15.9	17.6
12"	413.0	314.7	50.8	15.9	15.9	22.0
14"	457.0	346.0	50.8	15.9	15.9	27.0
16"	508.0	396.8	50.8	15.9	15.9	31.0
18"	574.5	447.6	50.8	15.9	15.9	40.0
20"	635.0	469.9	54.0	15.9	15.9	58.0
22"	686.0	547.7	57.2	15.9	15.9	62.0
24"	749.5	596.9	57.2	15.9	15.9	72.0

S.900 Lbs						
Dimensions ANSI B 31.3 / B 16.5						
DNP	De	Di	S	d1	d2	Kg
1/2"	-	-	-	-	-	-
3/4"	-	-	-	-	-	-
1"	-	-	-	-	-	-
1.1/2	-	-	-	-	-	-
2"	-	-	-	-	-	-
3"	155.5	82.8	50.8	15.9	15.9	5.4
4"	181.0	108.2	50.8	15.9	15.9	6.5
6"	241.5	161.5	50.8	15.9	15.9	10.0
8"	308.0	211.6	50.8	15.9	15.9	15.6
10"	362.0	264.7	50.8	15.9	15.9	19.0
12"	419.0	314.7	50.8	15.9	15.9	24.0
14"	466.5	346.0	57.2	15.9	15.9	35.0
16"	524.0	396.8	57.2	15.9	15.9	41.0
18"	593.5	447.6	60.3	15.9	15.9	57.0
20"	647.0	469.9	60.3	15.9	15.9	74.0
22"	-	-	-	-	-	-
24"	771.5	596.9	66.7	15.9	15.9	98.0

S.1500 Lbs						
Dimensions ANSI B 31.3 / B 16.5						
DNP	De	Di	S	d1	d2	Kg
1/2"	60.5	15.8	47.6	15.9	15.9	1.0
3/4"	66.5	21.0	47.6	15.9	15.9	1.1
1"	71.5	26.6	47.6	15.9	15.9	1.2
1.1/2	92.0	40.9	47.6	15.9	15.9	1.9
2"	124.0	54.8	50.8	15.9	15.9	3.8
3"	168.5	82.8	50.8	15.9	15.9	6.7
4"	193.5	108.2	50.8	15.9	15.9	8.0
6"	247.5	161.5	54.0	15.9	15.9	11.7
8"	317.5	211.6	57.2	15.9	15.9	19.0
10"	371.5	264.7	57.2	15.9	15.9	24.0
12"	438.0	314.7	63.5	15.9	15.9	36.0
14"	489.0	346.0	66.7	15.9	15.9	49.0
16"	546.0	396.8	69.9	15.9	15.9	61.0
18"	613.0	447.6	69.9	15.9	15.9	76.0
20"	673.0	469.9	69.9	15.9	15.9	100.0
22"	-	-	-	-	-	-
24"	794.0	596.9	76.2	15.9	15.9	129.0

S.2500 Lbs						
Dimensions ANSI B 31.3 / B 16.5						
DNP	De	Di	S	d1	d2	Kg
1/2"	65.0	15.8	47.6	15.9	15.9	1.1
3/4"	73.0	21.0	47.6	15.9	15.9	1.4
1"	82.5	26.6	47.6	15.9	15.9	1.7
1.1/2	114.5	40.9	50.8	15.9	15.9	3.5
2"	33.5	54.8	50.8	15.9	15.9	4.6
3"	168.5	82.8	54.0	15.9	15.9	7.1
4"	203.0	108.2	57.2	15.9	15.9	10.4
6"	279.5	161.5	60.0	15.9	15.9	19.3
8"	339.5	211.6	63.5	15.9	15.9	28.0
10"	425.5	264.7	69.9	15.9	15.9	48.0
12"	495.5	314.7	69.9	15.9	15.9	63.0
14"	-	-	-	-	-	-
16"	-	-	-	-	-	-
18"	-	-	-	-	-	-
20"	-	-	-	-	-	-
22"	-	-	-	-	-	-
24"	-	-	-	-	-	-

Dischi Reversibili R.F. Spectacle Flanges R. F.



S.150 Lbs										
Dimensions ANSI B 31.3 / B 16.5 / B 16.20										
DNP	De	Di	I	S	A	B	C	E	Kg	
1/2"	44.5	21.3	87.0	4	42.5	16.0	10	3	0.1	
3/4"	54.0	26.7	96.0	4	42.0	16.0	10	3	0.2	
1"	63.5	33.4	106.0	6	42.5	16.0	10	4	0.3	
1.1/2"	82.5	48.3	125.0	6	42.5	16.0	10	4	0.4	
2"	101.5	60.3	152.0	6	50.5	19.0	10	4	0.7	
3"	133.5	88.9	187.0	6	53.5	19.0	15	4	1.2	
4"	171.5	114.3	225.0	8	53.5	19.0	15	6	2.4	
6"	219.0	168.3	279.0	12	60.0	22.0	15	6	4.7	
8"	274.5	219.1	339.0	14	64.5	22.0	15	6	9.5	
10"	336.5	273.0	410.0	18	73.5	25.5	20	8	17.0	
12"	406.5	323.8	483.0	20	76.5	25.5	20	8	27.0	
14"	447.5	355.6	529.0	22	82.0	28.5	20	10	37.5	
16"	511.0	406.4	592.0	26	81.0	28.5	20	10	56.5	
18"	546.0	457.2	629.0	28	83.0	32.0	20	10	69.0	
20"	603.0	508.0	689.0	30	86.0	32.0	25	15	87.5	
22"	657.5	558.8	742.0	40	84.5	35.0	25	15	137.0	
24"	714.5	609.6	802.0	46	87.5	35.0	25	15	147.0	

S.300 Lbs										
Dimensions ANSI B 31.3 / B 16.5 / B 16.20										
DNP	De	Di	I	S	A	B	C	E	Kg	
1/2"	51.0	21.3	93.0	4	42.0	16.0	10	3	0.2	
3/4"	63.5	26.7	110.0	4	46.5	19.0	10	3	0.3	
1"	70.0	33.4	117.0	6	47.0	19.0	10	4	0.4	
1.1/2"	92.0	48.3	144.0	6	52.0	22.0	10	4	0.5	
2"	108.0	60.3	162.0	6	54.0	19.0	10	4	1.0	
3"	146.0	88.9	203.0	10	57.0	22.0	15	6	2.4	
4"	178.0	114.3	241.0	12	63.0	22.0	15	6	4.0	
6"	247.5	168.3	312.0	18	64.5	22.0	15	6	10.5	
8"	305.5	219.1	373.0	20	67.5	25.5	15	8	18.0	
10"	359.0	273.0	440.0	26	81.0	28.5	20	10	29.5	
12"	419.0	323.8	508.0	30	89.0	32.0	20	10	46.0	
14"	482.5	355.6	571.0	34	88.5	32.0	20	15	70.5	
16"	536.5	406.4	630.0	38	93.5	35.0	20	15	97.0	
18"	594.0	457.2	691.0	44	97.0	35.0	20	20	132.5	
20"	651.0	508.0	751.0	48	100.0	35.0	25	20	173.5	
22"	701.5	558.8	808.0	52	106.5	41.5	25	20	219.0	
24"	771.5	609.6	881.0	58	109.5	41.5	25	20	289.0	

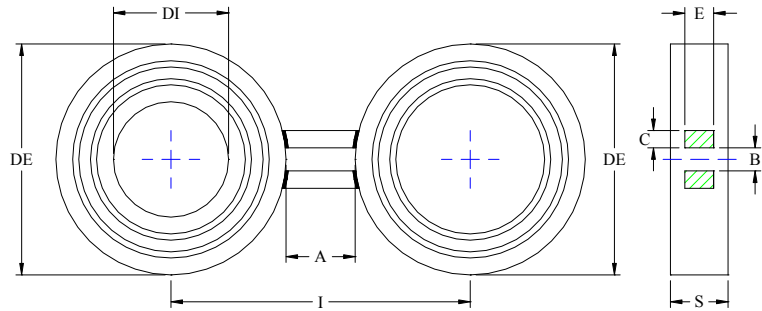
S.600 Lbs										
Dimensions ANSI B 31.3 / B 16.5 / B 16.20										
DNP	De	Di	I	S	A	B	C	E	Kg	
1/2"	51.0	21.3	93.0	4	42.0	16.0	10	3	0.2	
3/4"	63.5	26.7	110.0	6	46.5	19.0	10	3	0.3	
1"	70.0	33.4	117.0	6	47.0	19.0	10	4	0.4	
1.1/2"	92.0	48.3	144.0	6	52.0	22.0	10	4	0.6	
2"	108.0	60.3	162.0	10	54.0	19.0	10	4	1.3	
3"	146.0	88.9	203.0	14	57.0	22.0	15	6	3.3	
4"	190.5	114.3	257.0	18	66.5	25.5	15	6	6.8	
6"	263.0	168.3	340.0	24	76.5	28.5	15	8	17.0	
8"	317.5	219.1	399.0	30	81.5	32.0	15	10	29.0	
10"	397.0	273.0	491.0	36	94.0	35.0	20	10	55.0	
12"	454.0	323.8	545.0	44	91.0	35.0	20	15	82.5	
14"	489.0	355.6	584.0	48	95.0	38.0	20	15	104.0	
16"	562.0	406.4	662.0	54	100.0	41.5	20	20	156.5	
18"	609.5	457.2	714.0	62	104.5	44.5	20	20	205.0	
20"	679.5	508.0	784.0	66	104.5	44.5	25	20	274.5	
22"	730.5	558.8	838.0	74	107.5	47.5	25	20	348.5	
24"	787.5	609.6	902.0	82	114.5	51.0	25	25	435.5	

S.900 Lbs										
Dimensions ANSI B 31.3 / B 16.5 / B 16.20										
DNP	De	Di	I	S	A	B	C	E	Kg	
1/2"	-	-	-	-	-	-	-	-	-	
3/4"	-	-	-	-	-	-	-	-	-	
1"	-	-	-	-	-	-	-	-	-	
1.1/2"	-	-	-	-	-	-	-	-	-	
2"	-	-	-	-	-	-	-	-	-	
3"	165.0	88.9	228.0	18	63.0	25.5	15	6	5.0	
4"	203.0	114.3	278.0	20	75.0	32.0	15	8	9.0	
6"	285.5	168.3	363.0	30	77.5	32.0	15	10	25.0	
8"	355.5	219.1	451.0	36	95.5	38.0	15	10	46.5	
10"	432.0	273.0	527.0	44	95.0	38.0	20	15	82.5	
12"	495.5	323.8	591.0	52	95.5	38.0	20	15	126.0	
14"	517.5	355.6	618.0	58	100.5	41.5	20	20	144.5	
16"	571.5	406.4	676.0	66	104.5	44.5	20	20	196.5	
18"	635.0	457.2	749.0	76	114.0	51.0	20	25	281.5	
20"	695.5	508.0	815.0	82	119.5	54.0	25	25	363.0	
22"	-	-	-	-	-	-	-	-	-	
24"	835.0	609.6	876.0	98	141.0	66.5	25	30	623.5	

S.1500 Lbs										
Dimensions ANSI B 31.3 / B 16.5 / B 16.20										
DNP	De	Di	I	S	A	B	C	E	Kg	
1/2"	60.5	21.3	111.0	6	50.5	22.0	10	4	0.3	
3/4"	66.5	26.7	118.0	6	51.5	22.0	10	4	0.4	
1"	76.0	33.4	133.0	8	57.0	25.5	10	6	0.6	
1.1/2"	95.0	48.3	156.0	12	61.0	28.5	10	6	1.1	
2"	139.5	60.3	203.0	14	63.5	25.5	10	6	3.2	
3"	171.5	88.9	244.0	22	72.5	32.0	15	8	7.1	
4"	206.5	114.3	289.0	28	82.5	35.0	15	10	12.5	
6"	279.5	168.3	367.0	38	87.5	38.0	15	15	44.5	
8"	349.5	219.1	454.0	48	105.0	44.5	15	20	58.0	
10"	432.0	273.0	546.0	58	114.0	51.0	20	20	106.0	
12"	517.5	323.8	633.0	68	115.5	54.0	20	25	183.0	
14"	574.5	355.6	700.0	74	125.5	60.5	20	25	246.5	
16"	638.0	406.4	770.0	84	132.0	66.5	20	25	338.0	
18"	701.5	457.2	846.0	98	144.5	73.0	20	30	468.0	
20"	752.5	508.0	907.0	106	154.5	79.5	25	30	577.5	
22"	-	-	-	-	-	-	-	-	-	
24"	898.5	609.6	1072	128	173.5	92.0	25	35	977.0	

S.2500 Lbs										
Dimensions ANSI B 31.3 / B 16.5 / B 16.20										
DNP	De	Di	I	S	A	B	C	E	Kg	
1/2"	66.5	21.3	120.0	6	53.5	22.0	10	4	0.4	
3/4"	73.0	26.7	126.0	8	53.0	22.0	10	4	0.5	
1"	82.5	33.4	141.0	10	58.5	25.5	10	6	0.8	
1.1/2"	114.5	48.3	179.0	14	64.5	32.0	10	6	2.2	
2"	143.0	60.3	209.0	20	71.0	28.5	10	6	4.5	
3"	193.5	88.9	274.0	28	80.5	35.0	15	8	12.0	
4"	232.0	114.3	324.0	34	92.0	41.0	15	10	20.0	
6"	314.5	168.3	429.0	50	114.5	54.0	15	15	52.0	
8"	384.0	219.1	506.0	62	122.0	54.0	15	20	95.0	
10"	473.0	273.0	611.0	74	138.0	66.5	20	20	173.0	
12"	546.0	323.8	692.0	90	146.0	73.0	20	25	271.5	
14"	-	-	-	-	-	-	-	-	-	
16"	-	-	-	-	-	-	-	-	-	
18"	-	-	-	-	-	-	-	-	-	
20"	-	-	-	-	-	-	-	-	-	
22"	-	-	-	-	-	-	-	-	-	
24"	-	-	-	-	-	-	-	-	-	

Dischi Reversibili R.J. Spectacle Flanges R.J.



S.150 Lbs									
Dimensions ANSI B 31.3 / B 16.5 / B 16.20									
DNP	De	Di	I	S	A	B	C	E	Kg
1/2"	-	-	-	-	-	-	-	-	-
3/4"	-	-	-	-	-	-	-	-	-
1"	63.5	33.4	106.0	16	42.5	16.0	10	6	0.6
1.1/2	82.5	48.3	125.0	16	42.5	16.0	10	6	0.9
2"	101.5	60.3	147.0	18	45.5	19.0	10	6	1.6
3"	133.5	88.9	187.0	20	53.5	19.0	15	8	3.0
4"	171.5	114.3	225.0	22	53.5	19.0	15	10	5.9
6"	219.0	168.3	279.0	24	60.0	22.0	15	10	9.5
8"	273.0	219.1	338.0	28	65.0	22.0	15	10	16.0
10"	330.0	273.0	406.0	30	76.0	25.5	20	10	25.5
12"	406.5	323.8	483.0	36	76.5	25.5	20	10	47.5
14"	425.5	355.6	518.0	36	92.5	28.5	20	10	50.0
16"	482.5	406.4	578.0	40	95.5	28.5	20	15	72.0
18"	546.0	457.2	629.0	44	83.0	32.0	25	15	101.5
20"	597.0	508.0	686.0	44	89.0	32.0	25	20	130.0
22"	647.5	558.8	737.0	48	89.5	35.0	25	20	153.0
24"	711.0	609.6	800.0	52	89.0	35.0	25	20	199.0

S.300 Lbs									
Dimensions ANSI B 31.3 / B 16.5 / B 16.20									
DNP	De	Di	I	S	A	B	C	E	Kg
1/2"	51.0	21.3	93.0	14	42.0	16.0	10	4	0.5
3/4"	63.5	26.7	110.0	16	47.0	19.0	10	4	0.6
1"	70.0	33.4	117.0	18	47.0	19.0	10	6	0.8
1.1/2	90.5	48.3	143.0	20	52.5	22.0	10	6	1.5
2"	108.0	60.3	162.0	24	54.0	19.0	10	8	2.5
3"	146.0	88.9	203.0	28	57.0	22.0	15	10	5.2
4"	174.5	114.3	239.0	28	64.5	22.0	15	10	7.8
6"	241.5	168.3	310.0	36	68.5	22.0	15	10	18.0
8"	301.5	219.1	371.0	40	69.5	25.5	15	10	31.0
10"	355.5	273.0	438.0	44	82.5	28.5	20	15	47.5
12"	413.0	323.8	505.0	50	92.0	32.0	20	15	69.5
14"	457.0	355.6	559.0	54	102.0	32.0	20	20	95.0
16"	508.0	406.4	616.0	58	108.0	35.0	20	20	121.0
18"	574.5	457.2	681.0	64	106.5	35.0	25	20	174.0
20"	635.0	508.0	743.0	72	108.0	35.0	25	25	238.0
22"	686.0	558.8	800.0	80	114.0	41.5	25	25	302.5
24"	749.5	609.6	870.0	84	120.5	41.5	25	25	382.0

S.600 Lbs									
Dimensions ANSI B 31.3 / B 16.5 / B 16.20									
DNP	De	Di	I	S	A	B	C	E	Kg
1/2"	51.0	21.3	93.0	16	42.0	16.0	10	4	0.6
3/4"	63.5	26.7	110.0	18	47.0	19.0	10	4	0.7
1"	70.0	33.4	117.0	20	47.0	19.0	10	6	0.9
1.1/2	90.5	48.3	143.0	22	52.5	22.0	10	8	1.8
2"	108.0	60.3	162.0	28	54.0	19.0	10	8	2.9
3"	146.0	88.9	203.0	32	57.0	22.0	15	10	6.4
4"	174.5	114.3	249.0	36	74.5	25.5	15	10	9.5
6"	241.5	168.3	329.0	44	87.5	28.5	15	15	22.5
8"	301.5	219.1	390.0	50	88.5	32.0	15	15	39.0
10"	355.5	273.0	470.0	58	114.5	35.0	20	20	61.5
12"	413.0	323.8	524.0	64	111.0	35.0	20	20	91.0
14"	457.0	355.6	568.0	68	111.0	38.0	20	20	121.0
16"	508.0	406.4	635.0	74	127.0	41.5	20	20	159.5
18"	574.5	457.2	697.0	82	122.5	44.5	25	25	227.5
20"	635.0	508.0	762.0	92	127.0	44.5	25	25	308.0
22"	686.0	558.8	816.0	102	130.0	47.5	25	30	390.0
24"	749.5	609.6	883.0	110	133.5	51.0	25	30	500.0

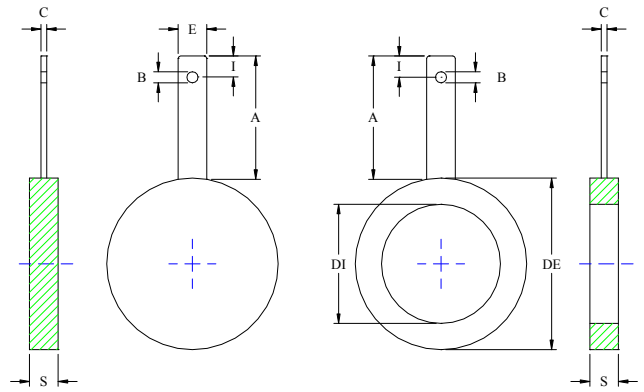
S.900 Lbs									
Dimensions ANSI B 31.3 / B 16.5 / B 16.20									
DNP	De	Di	I	S	A	B	C	E	Kg
1/2"	-	-	-	-	-	-	-	-	-
3/4"	-	-	-	-	-	-	-	-	-
1"	-	-	-	-	-	-	-	-	-
1.1/2	-	-	-	-	-	-	-	-	-
2"	-	-	-	-	-	-	-	-	-
3"	155.5	88.9	223.0	36	67.5	25.5	15	10	8.2
4"	181.0	114.3	262.0	40	81.0	32.0	15	10	12.0
6"	241.5	168.3	341.0	50	99.5	32.0	15	15	26.0
8"	308.5	219.1	419.0	58	111.0	38.0	20	20	49.0
10"	362.0	273.0	492.0	66	130.0	38.0	20	20	76.0
12"	419.0	323.8	552.0	74	133.0	38.0	20	20	111.5
14"	466.5	355.6	592.0	88	125.5	41.5	20	20	162.5
16"	524.0	406.4	653.0	96	129.0	44.5	25	25	221.5
18"	593.5	457.2	729.0	108	135.5	51.0	25	25	322.0
20"	647.5	508.0	790.0	116	142.5	54.0	25	30	407.0
22"	-	-	-	-	-	-	-	-	-
24"	771.5	609.6	945.0	138	173.5	66.5	25	35	678.0

S.1500 Lbs									
Dimensions ANSI B 31.3 / B 16.5 / B 16.20									
DNP	De	Di	I	S	A	B	C	E	Kg
1/2"	60.5	21.3	111.0	20	50.5	22.0	10	6	0.8
3/4"	66.5	26.7	118.0	22	51.5	22.0	10	8	1.0
1"	71.5	33.4	130.0	22	58.5	25.5	10	8	1.2
1.1/2	92.0	48.3	155.0	28	63.0	28.5	10	8	2.4
2"	124.0	60.3	195.0	36	71.0	25.5	15	10	5.5
3"	168.5	88.9	243.0	44	74.5	32.0	15	10	12.5
4"	193.5	114.3	277.0	48	83.5	35.0	15	15	17.5
6"	247.5	168.3	351.0	62	103.5	38.0	15	15	35.0
8"	317.5	219.1	430.0	76	112.5	44.5	20	20	69.5
10"	371.5	273.0	516.0	88	144.5	51.0	20	20	106.0
12"	438.0	323.8	594.0	106	156.0	54.0	20	25	173.0
14"	489.0	355.6	657.0	116	168.0	60.5	20	25	240.0
16"	546.0	406.4	724.0	128	178.0	66.5	25	25	326.0
18"	613.0	457.2	802.0	142	189.0	73.0	25	30	455.5
20"	673.0	508.0	867.0	152	194.0	79.5	25	35	581.0
22"	-	-	-	-	-	-	-	-	-
24"	794.0	609.6	1019.0	180	225.0	92.0	30	35	950.0

S.2500 Lbs									
Dimensions ANSI B 31.3 / B 16.5 / B 16.20									
DNP	De	Di	I	S	A	B	C	E	Kg
1/2"	65.0	21.3	119.0	24	54.0	22.0	10	6	1.2
3/4"	73.0	26.7	126.0	26	53.0	22.0	10	8	1.5
1"	82.5	33.4	141.0	28	58.5	25.5	10	8	2.1
1.1/2	114.5	48.3	184.0	36	69.5	32.0	10	8	5.1
2"	133.5	60.3	209.0	44	75.5	28.5	15	10	8.2
3"	168.5	88.9	262.0	52	93.5	35.0	15	15	15.5
4"	203.0	114.3	304.0	62	101.0	41.5	15	20	25.5
6"	279.5	168.3	411.0	84	131.5	54.0	15	20	63.0
8"	339.5	219.1	484.0	100	144.5	54.0	20	25	107.0
10"	425.5	273.0	587.0	124	161.5	66.5	20	25	208.0
12"	495.5	323.8	667.0	140	171.5	73.0	20	30	317.0
14"	-	-	-	-	-	-	-	-	-
16"	-	-	-	-	-	-	-	-	-
18"	-	-	-	-	-	-	-	-	-
20"	-	-	-	-	-	-	-	-	-
22"	-	-	-	-	-	-	-	-	-
24"	-	-	-	-	-	-	-	-	-

Distanziatori e Sezionatori di Linea R.F.

Ring Spacer and Single Blinds R.F.



S.150 Lbs Dimensions ANSI B 31.3 / B 16.5 / B 16.20											
DNP	De	Di	I	S	A	B	C	E	Kg.		
									S	B	
1/2"	44.5	21.3	12	4	100	12	3	25	0.10	0.15	
3/4"	54.0	26.7	12	4	100	12	3	25	0.10	0.15	
1"	63.5	33.4	12	6	100	12	4	25	0.15	0.20	
1.1/2"	82.5	48.3	12	6	100	12	4	25	0.20	0.30	
2"	101.5	60.3	12	6	100	12	4	25	0.35	0.50	
3"	133.5	88.9	17	6	135	17	6	35	0.95	0.95	
4"	171.5	114.3	17	8	135	17	6	35	1.05	1.70	
6"	219.0	168.3	17	12	135	17	8	35	1.60	3.55	
8"	274.5	219.1	17	14	135	17	10	35	2.80	7.10	
10"	336.0	273.0	17	18	135	17	15	35	4.70	12.80	
12"	406.5	323.8	17	20	135	17	15	35	7.70	20.00	
14"	447.5	355.6	20	22	160	20	20	40	11.00	28.00	
16"	511.0	406.4	20	26	160	20	20	40	16.20	42.00	
18"	546.0	457.2	20	28	160	20	20	40	17.00	53.50	
20"	603.0	508.0	20	30	160	20	25	40	21.00	68.50	
22"	657.5	558.8	25	40	200	25	25	50	31.50	108.50	
24"	714.5	609.6	25	46	200	25	25	50	33.50	117.00	

S.300 Lbs Dimensions ANSI B 31.3 / B 16.5 / B 16.20											
DNP	De	Di	I	S	A	B	C	E	Kg.		
									S	B	
1/2"	51.0	21.3	12	4	100	12	3	25	0.10	0.15	
3/4"	63.5	26.7	12	4	100	12	3	25	0.15	0.20	
1"	70.0	33.4	12	6	100	12	4	25	0.20	0.25	
1.1/2"	92.0	48.3	12	6	100	12	4	25	0.25	0.35	
2"	108.0	60.3	12	6	100	12	4	25	0.40	0.55	
3"	146.0	88.9	17	10	135	17	6	35	1.00	1.45	
4"	178.0	114.3	17	12	135	17	6	35	1.70	2.70	
6"	247.5	168.3	17	18	135	17	8	35	3.90	6.90	
8"	305.0	219.1	17	20	150	17	10	35	6.10	12.20	
10"	359.0	273.0	17	26	150	17	15	35	9.20	21.00	
12"	419.0	323.8	17	30	175	17	15	35	13.70	33.00	
14"	482.5	355.6	20	34	175	20	20	40	23.00	49.00	
16"	536.5	406.4	20	38	175	20	20	40	30.00	68.50	
18"	594.0	457.2	20	44	175	20	20	40	39.50	94.50	
20"	651.0	508.0	20	48	175	20	25	40	50.00	125.50	
22"	701.5	558.8	25	52	220	25	25	50	60.50	161.50	
24"	771.5	609.6	25	58	200	25	25	50	85.00	211.50	

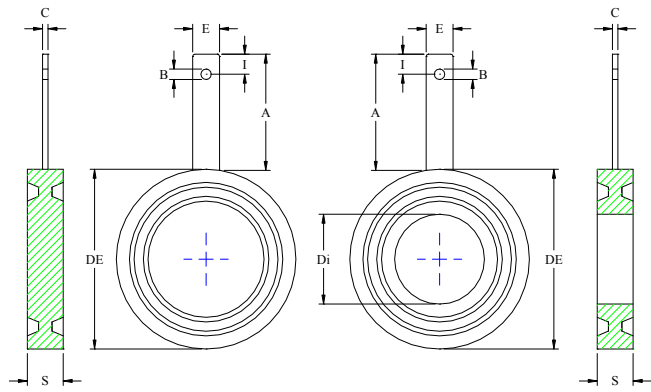
S.600 Lbs Dimensions ANSI B 31.3 / B 16.5 / B 16.20											
DNP	De	Di	I	S	A	B	C	E	Kg.		
									S	B	
1/2"	51.0	21.3	12	4	100	12	3	25	0.10	0.15	
3/4"	63.5	26.7	12	6	100	12	3	25	0.15	0.20	
1"	70.0	33.4	12	6	100	12	4	25	0.20	0.25	
1.1/2"	92.0	48.3	12	6	100	12	4	25	0.35	0.45	
2"	108.0	60.3	12	10	100	12	4	25	0.55	0.80	
3"	146.0	88.9	17	14	135	17	6	35	1.40	2.20	
4"	190.5	114.3	17	18	150	17	6	35	2.75	4.20	
6"	263.5	168.3	17	24	150	17	8	35	6.40	10.60	
8"	317.5	219.1	17	30	150	17	10	35	10.20	19.00	
10"	397.0	273.0	17	36	160	17	15	35	19.50	36.00	
12"	454.0	323.8	17	44	160	17	15	35	27.50	55.50	
14"	489.0	355.6	20	48	180	20	20	40	34.00	71.00	
16"	562.0	406.4	20	54	180	20	20	40	51.50	106.50	
18"	609.5	457.2	20	62	180	20	20	40	63.00	143.00	
20"	679.5	508.0	20	66	180	20	25	40	85.00	190.50	
22"	730.5	558.8	25	74	230	25	25	50	104.00	247.50	
24"	787.5	609.6	25	82	230	25	25	50	126.50	312.00	

S.900 Lbs Dimensions ANSI B 31.3 / B 16.5 / B 16.20											
DNP	De	Di	I	S	A	B	C	E	Kg.		
									S	B	
1/2"	-	-	-	-	-	-	-	-	-	-	
3/4"	-	-	-	-	-	-	-	-	-	-	
1"	-	-	-	-	-	-	-	-	-	-	
1.1/2"	-	-	-	-	-	-	-	-	-	-	
2"	-	-	-	-	-	-	-	-	-	-	
3"	165.0	88.9	17	18	150	17	10	35	2.50	3.40	
4"	203.0	114.3	17	20	150	17	10	35	4.00	5.60	
6"	285.5	168.3	17	30	150	17	15	35	10.50	15.70	
8"	355.0	219.1	17	36	160	17	20	35	18.50	29.50	
10"	432.0	273.0	17	44	160	17	25	35	32.00	52.50	
12"	495.5	323.8	17	52	160	17	25	35	46.50	80.50	
14"	517.5	355.6	20	58	180	20	25	40	51.50	96.00	
16"	571.5	406.4	20	66	180	20	30	40	66.50	132.50	
18"	635.0	457.2	20	76	200	20	30	40	93.00	191.00	
20"	695.5	508.0	20	82	200	20	30	40	117.00	248.00	
22"	-	-	-	-	-	-	-	-	-	-	
24"	835.0	609.6	25	98	250	25	35	50	201.00	426.50	

S.1500 Lbs Dimensions ANSI B 31.3 / B 16.5 / B 16.20											
DNP	De	Di	I	S	A	B	C	E	Kg.		
									S	B	
1/2"	60.5	21.3	12	6	110	12	4	25	0.15	0.20	
3/4"	66.5	26.7	12	6	110	12	4	25	0.25	0.30	
1"	76.0	33.4	12	8	110	12	6	25	0.40	0.45	
1.1/2"	95.0	48.3	12	12	110	12	6	25	0.60	0.75	
2"	139.5	60.3	12	14	110	12	6	25	1.55	1.90	
3"	171.5	88.9	17	22	150	17	10	35	3.35	4.40	
4"	206.5	114.3	17	28	160	17	10	35	5.35	7.60	
6"	279.5	168.3	17	38	160	17	15	35	12.40	19.00	
8"	349.0	219.1	17	48	170	17	20	35	22.50	36.50	
10"	432.0	273.0	17	58	180	17	25	35	40.50	67.00	
12"	517.5	323.8	17	68	180	17	25	35	70.00	114.50	
14"	574.5	355.6	20	74	210	20	25	40	95.00	153.00	
16"	638.0	406.4	20	84	210	20	30	40	127.50	212.50	
18"	701.5	457.2	20	98	230	20	30	40	174.00	296.50	
20"	752.5	508.0	20	106	230	20	30	40	205.00	374.00	
22"	-	-	-	-	-	-	-	-	-	-	
24"	898.5	609.6	25	128	280	25	35	50	345.00	635.50	

S.2500 Lbs Dimensions ANSI B 31.3 / B 16.5 / B 16.20											
DNP	De	Di	I	S	A	B	C	E	Kg.		
									S	B	
1/2"	66.5	21.3	12	6	110	12	4	25	0.25	0.30	
3/4"	73.0	26.7	12	8	110	12	4	25	0.30	0.35	
1"	82.5	33.4	12	10	110	12	6	25	0.50	0.55	
1.1/2"	114.5	48.3	12	14	120	12	6	25	1.10	1.30	
2"	143.0	60.3	12	20	120	12	6	25	2.10	2.55	
3"	193.5	88.9	17	28	160	17	10	35	5.65	7.00	
4"	232.0	114.3	17	34	160	17	10	35	8.90	11.60	
6"	314.5	168.3	17	50	190	17	15	35	22.00	30.50	
8"	349.0	219.1	17	48	190	17	20	35	22.50	36.50	
10"	384.0	273.0	17	62	190	17	20	35	39.00	57.50	
12"	473.0	323.8	17	74	210	17	25	35	70.00	104.00	
14"	546.0	355.6	17	90	210	17	25	35	107.50	165.00	
16"	-	-	-	-	-	-	-	-	-	-	
18"	-	-	-	-	-	-	-	-	-	-	
20"	-	-	-	-	-	-	-	-	-	-	
22"	-	-	-	-	-	-	-	-	-	-	
24"	-	-	-	-	-	-	-	-	-	-	

Distanziatori e Sezionatori di Linea R.J. Ring Spacer and Single Blinds R.J.



S.150 Lbs Dimensions ANSI B 31.3 / B 16.5 / B 16.20										
DNP	De	Di	I	S	A	B	C	E	Kg.	
									S	B
1/2"	-	-	-	-	-	-	-	-	-	-
3/4"	-	-	-	-	-	-	-	-	-	-
1"	63.5	33.4	12	16	100	12	6	25	0.30	0.50
1.1/2	82.5	48.3	12	16	100	12	6	25	0.50	0.70
2"	101.5	60.3	12	18	100	12	6	25	0.70	1.10
3"	133.5	88.9	17	20	135	17	10	35	1.40	2.30
4"	171.5	114.3	17	22	135	17	10	35	2.40	4.10
6"	219.0	168.3	17	24	135	17	15	35	3.20	7.30
8"	273.0	219.1	17	28	135	17	15	35	4.60	12.50
10"	330.0	273.0	17	30	135	17	20	35	6.60	20.50
12"	406.5	323.8	17	36	135	17	20	35	14.00	36.00
14"	425.5	355.6	20	36	160	20	25	40	15.50	40.00
16"	482.5	406.4	20	40	160	20	25	40	17.00	57.50
18"	546.0	457.2	20	44	160	20	25	40	24.00	79.50
20"	597.0	508.0	20	44	160	20	30	40	28.00	98.50
22"	647.5	558.8	25	48	200	25	30	50	33.00	24.50
24"	711.0	609.6	25	52	200	25	30	50	43.50	160.00

S.300 Lbs Dimensions ANSI B 31.3 / B 16.5 / B 16.20										
DNP	De	Di	I	S	A	B	C	E	Kg.	
									S	B
1/2"	51.0	21.3	12	14	100	12	4	25	0.20	0.30
3/4"	63.5	26.7	12	16	100	12	4	25	0.30	0.40
1"	70.0	33.4	12	18	100	12	6	25	0.40	0.60
1.1/2	90.5	48.3	12	20	100	12	6	25	0.70	1.00
2"	108.0	60.3	12	24	100	12	6	25	1.10	1.60
3"	146.0	88.9	17	28	135	17	10	35	2.20	3.60
4"	174.5	114.3	17	28	135	17	10	35	3.00	5.30
6"	241.5	168.3	17	36	135	17	15	35	6.40	12.50
8"	301.5	219.1	17	40	135	17	15	35	10.50	22.00
10"	355.5	273.0	17	44	150	17	20	35	14.00	34.50
12"	413.0	323.8	17	50	150	17	20	35	19.50	4.50
14"	457.0	355.6	20	54	175	20	25	40	27.50	70.00
16"	508.0	406.4	20	58	175	20	25	40	33.00	91.00
18"	574.5	457.2	20	64	175	20	25	40	39.50	94.50
20"	635.0	508.0	20	72	175	20	30	40	63.50	177.50
22"	686.0	558.8	25	80	220	25	30	50	73.00	218.50
24"	749.5	609.6	25	84	220	25	30	50	97.00	290.00

S.600 Lbs Dimensions ANSI B 31.3 / B 16.5 / B 16.20										
DNP	De	Di	I	S	A	B	C	E	Kg.	
									S	B
1/2"	51.0	21.3	12	16	100	12	4	25	0.30	0.40
3/4"	63.5	26.7	12	18	100	12	4	25	0.40	0.50
1"	70.0	33.4	12	20	100	12	6	25	0.50	0.70
1.1/2	90.5	48.3	12	22	100	12	6	25	0.80	1.10
2"	108.0	60.3	21	28	100	21	6	25	1.20	1.80
3"	146.0	88.9	17	32	135	17	10	35	2.60	4.20
4"	174.5	114.3	17	36	150	17	10	35	3.70	6.50
6"	241.5	168.3	17	44	150	17	15	35	8.00	15.50
8"	301.5	219.1	17	50	150	17	15	35	13.00	27.50
10"	355.5	273.0	17	58	160	17	20	35	18.50	44.50
12"	413.0	323.8	17	64	160	17	20	35	25.50	66.50
14"	457.0	355.6	20	68	180	20	25	40	35.00	88.50
16"	508.0	406.4	20	74	180	20	25	40	43.00	118.50
18"	574.5	457.2	20	82	180	20	25	40	69.50	164.50
20"	635.0	508.0	20	92	180	20	30	40	81.50	228.00
22"	686.0	558.8	25	102	230	25	30	50	98.50	294.00
24"	749.5	609.6	25	110	230	25	30	50	127.00	378.00

S.900 Lbs Dimensions ANSI B 31.3 / B 16.5 / B 16.20										
DNP	De	Di	I	S	A	B	C	E	Kg.	
									S	B
1/2"	-	-	-	-	-	-	-	-	-	-
3/4"	-	-	-	-	-	-	-	-	-	-
1"	-	-	-	-	-	-	-	-	-	-
1.1/2	-	-	-	-	-	-	-	-	-	-
2"	-	-	-	-	-	-	-	-	-	-
3"	155.5	88.9	17	36	150	17	10	35	3.60	5.30
4"	181.0	114.3	17	40	150	17	10	35	5.00	8.00
6"	241.5	168.3	17	48	150	17	15	35	9.00	18.00
8"	308.0	219.1	17	58	160	17	15	35	16.50	33.50
10"	362.0	273.0	17	66	160	17	20	35	23.50	54.00
12"	419.0	323.8	17	74	160	17	20	35	32.50	80.50
14"	466.5	355.6	20	88	180	20	25	40	48.50	116.50
16"	524.0	406.4	20	96	180	20	30	40	63.50	160.50
18"	593.5	457.2	20	108	200	20	30	40	92.50	231.50
20"	647.5	508.0	20	116	200	20	30	40	112.50	297.00
22"	-	-	-	-	-	-	-	-	-	-
24"	771.5	609.6	25	138	250	25	35	50	183.50	500.00

S.1500 Lbs Dimensions ANSI B 31.3 / B 16.5 / B 16.20										
DNP	De	Di	I	S	A	B	C	E	Kg.	
									S	B
1/2"	60.5	21.3	12	20	110	12	6	25	0.50	0.60
3/4"	66.5	26.7	12	22	110	12	6	25	0.60	0.70
1"	71.5	33.4	12	22	110	12	10	25	0.70	0.90
1.1/2	92.0	48.3	12	28	110	12	10	25	1.20	1.60
2"	124.0	60.3	12	36	110	12	10	25	2.50	3.30
3"	168.5	88.9	17	44	150	17	15	35	5.70	7.00
4"	193.5	114.3	17	48	160	17	15	35	7.30	11.50
6"	247.5	168.3	17	62	160	17	20	35	13.00	23.50
8"	315.5	219.1	17	76	170	17	25	35	24.50	47.00
10"	371.5	273.0	17	88	180	17	25	35	34.00	74.00
12"	438.0	323.8	17	106	180	17	30	35	53.50	121.50
14"	489.0	355.6	20	116	210	20	30	40	75.00	166.00
16"	546.0	406.4	20	128	210	20	30	40	98.50	230.00
18"	613.0	457.2	20	142	230	20	30	40	138.00	320.00
20"	673.0	508.0	20	152	230	20	35	40	171.50	411.50
22"	-	-	-	-	-	-	-	-	-	-
24"	794.0	609.6	25	180	280	25	35	50	270.50	683.00

S.2500 Lbs Dimensions ANSI B 31.3 / B 16.5 / B 16.20										
DNP	De	Di	I	S	A	B	C	E	Kg.	
									S	B
1/2"	65.0	21.3	12	24	110	12	6	25	0.60	0.70
3/4"	73.0	26.7	12	26	110	12	6	25	0.80	0.90
1"	82.5	33.4	12	28	110	12	10	25	1.10	1.30
1.1/2	114.5	48.3	12	36	120	12	10	25	2.40	3.00
2"	133.5	60.3	12	44	120	12	10	25	3.70	4.70
3"	168.5	88.9	17	52	160	17	15	35	6.80	9.30
4"	203.0	114.3	17	62	160	17	15	35	10.50	15.50
6"	279.5	168.3	17	84	190	17	20	35	25.00	40.00
8"	339.5	219.1	17	100	190	17	25	35	40.00	70.00
10"	425.5	273.0	17	124	210	17	25	35	77.00	133.50
12"	495.5	323.8	17	140	210	17	30	35	114.00	204.00
14"	-	-	-	-	-	-	-	-	-	-
16"	-	-	-	-	-	-	-	-	-	-
18"	-	-	-	-	-	-	-	-	-	-
20"	-	-	-	-	-	-	-	-	-	-
22"	-	-	-	-	-	-	-	-	-	-
24"	-	-	-	-	-	-	-	-	-	-