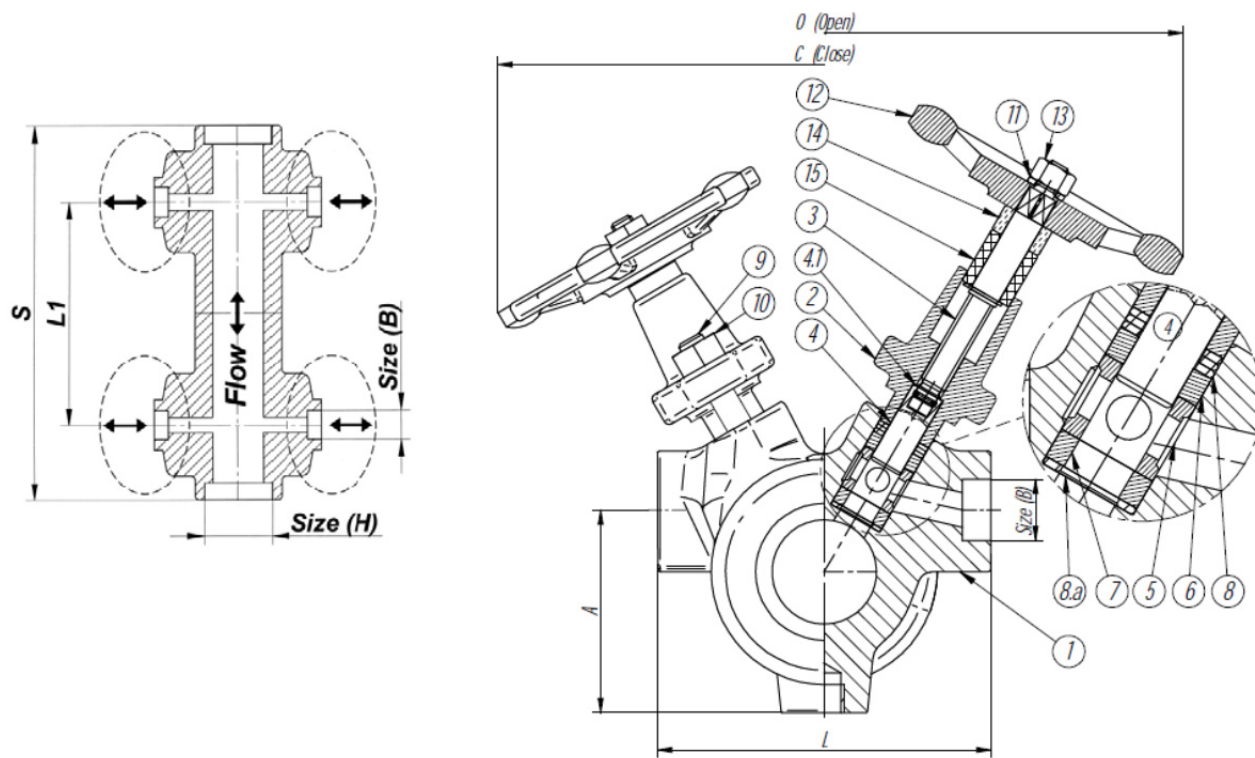


Manifold per la distribuzione del vapore  
Steam distribution manifold

# MANIFOLD PER LA DISTRIBUZIONE DEL VAPORE

## STEAM DISTRIBUTION MANIFOLD

Mod. **SDM4**



Design Conditions according to ASME B16.34	
Rating	ANSI 600
Max Allowable Pressure	100 bar
Max Allowable Temperature	425 °C

Run Connections		
No.	Size ( H )	Type
2	1.1/2"	SW acc. to ANSI B16.11

Branch Connections		
No.	Size ( B )	Type
4	1/2" - 3/4"	SW acc. to ANSI B16.11
		NPT acc. to ANSI B1.20.1
		BSP acc. to BS21

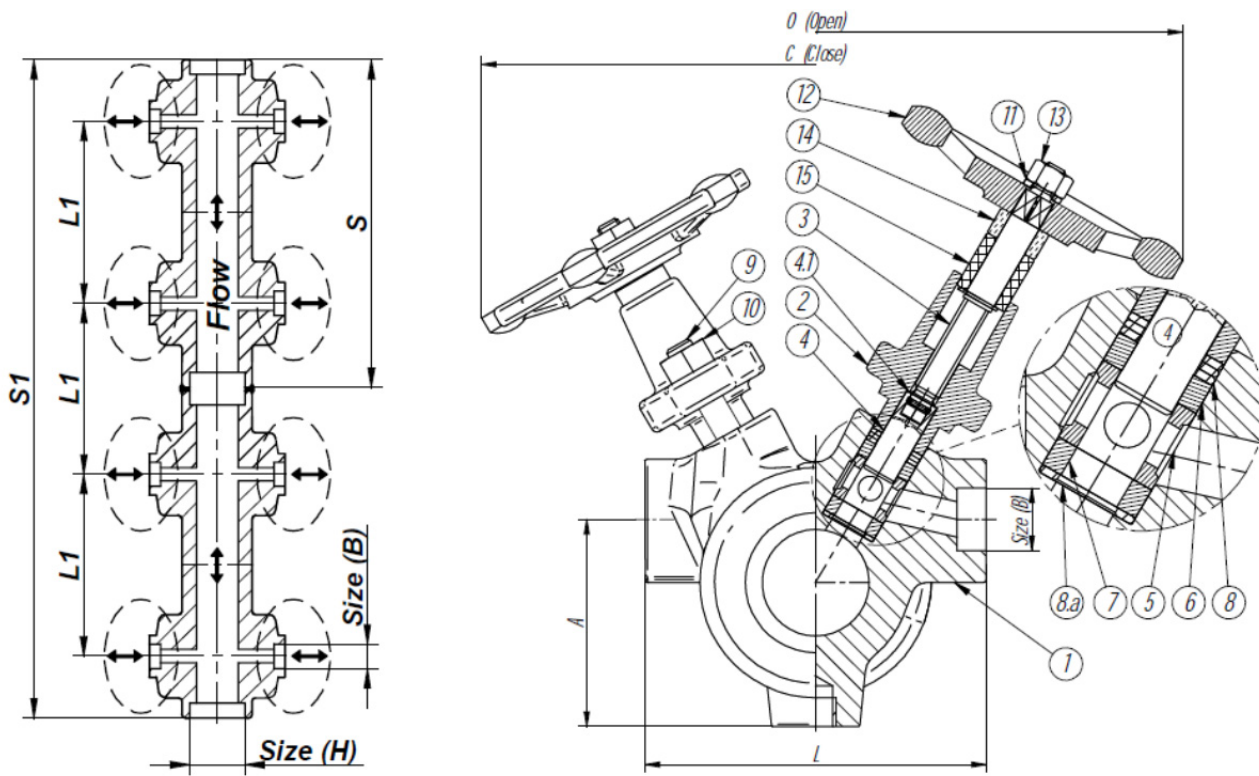
Dimensions ( mm )							Weight ( Kg. )
S	S1	L	L1	A	C	O	
244	-	118	120	72	235	255	11

Item	Description	Materials	Spares
1	Body	ASTM A105N	
2	Bonnet	ASTM A216 WCB	
3	Stem	ASTM A182 F6	
4	Piston $\varnothing$ 12 mm.	ASTM A182 F304	X
4.1	Seeger	S.S. 304	X
5	Lantern	ASTM A182 F304	X
6	Valve upper ring	Graphite	X
7	Valve lower ring	Graphite / S.S.	X
8	Grain	S.S. 304	X
8.a	Bottom Grain	S.S. 304	X
9	Stud	ASTM A193 B7	
10	Nut	ASTM A194 2H	
11	Washer	Carbon Steel	
12	Handwheel	ASTM A105	
13	Handwheel nut	ASTM A194 Gr. 8	
14	Close green indicator	Rubber	X
15	Open red indicator	Rubber	X

# MANIFOLD PER LA DISTRIBUZIONE DEL VAPORE

## STEAM DISTRIBUTION MANIFOLD

Mod. **SDM8**



Design Conditions according to ASME B16.34	
Rating	ANSI 600
Max Allowable Pressure	100 bar
Max Allowable Temperature	425 °C

Run Connections		
No.	Size ( H )	Type
2	1.1/2"	SW acc. to ANSI B16.11

Branch Connections		
No.	Size ( B )	Type
8	1/2" - 3/4"	SW acc. to ANSI B16.11
		NPT acc. to ANSI B1.20.1
		BSP acc. to BS21

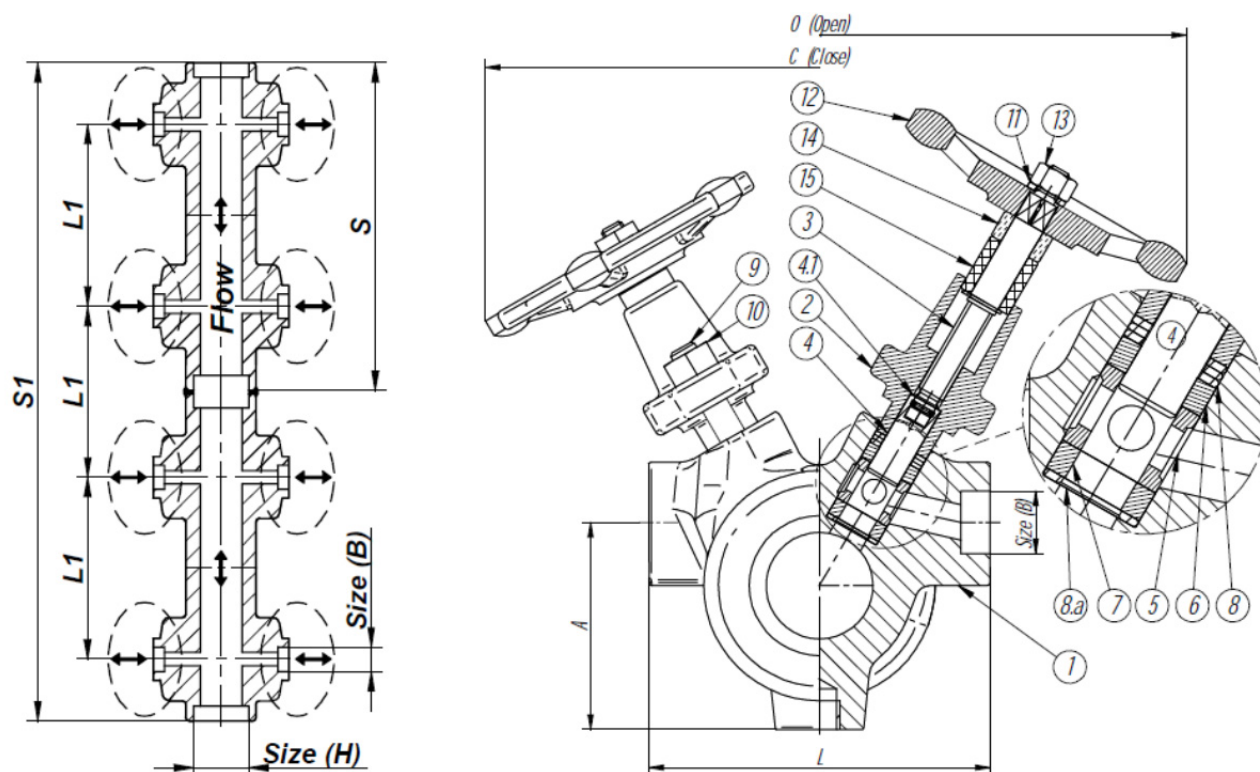
Dimensions ( mm )							Weight ( Kg. )
S	S1	L	L1	A	C	O	
244	484	118	120	72	235	255	22

Item	Description	Materials	Spares
1	Body	ASTM A105N	
2	Bonnet	ASTM A216 WCB	
3	Stem	ASTM A182 F6	
4	Piston $\varnothing$ 12 mm.	ASTM A182 F304	X
4.1	Seeger	S.S. 304	X
5	Lantern	ASTM A182 F304	X
6	Valve upper ring	Graphite	X
7	Valve lower ring	Graphite / S.S.	X
8	Grain	S.S. 304	X
8.a	Bottom Grain	S.S. 304	X
9	Stud	ASTM A193 B7	
10	Nut	ASTM A194 2H	
11	Washer	Carbon Steel	
12	Handwheel	ASTM A105	
13	Handwheel nut	ASTM A194 Gr. 8	
14	Close green indicator	Rubber	X
15	Open red indicator	Rubber	X

# MANIFOLD PER LA DISTRIBUZIONE DEL VAPORE

Mod. **SDM12**

## STEAM DISTRIBUTION MANIFOLD



Design Conditions according to ASME B16.34	
Rating	ANSI 600
Max Allowable Pressure	100 bar
Max Allowable Temperature	425 °C

Run Connections		
No.	Size ( H )	Type
2	1.1/2"	SW acc. to ANSI B16.11

Branch Connections		
No.	Size ( B )	Type
12	1/2" - 3/4"	SW acc. to ANSI B16.11
		NPT acc. to ANSI B1.20.1
		BSP acc. to BS21

Dimensions ( mm )							Weight ( Kg. )
S	S1	L	L1	A	C	O	
244	724	118	120	72	235	255	33

Item	Description	Materials	Spares
1	Body	ASTM A105N	
2	Bonnet	ASTM A216 WCB	
3	Stem	ASTM A182 F6	
4	Piston Ø 12 mm.	ASTM A182 F304	X
4.1	Seeger	S.S. 304	X
5	Lantern	ASTM A182 F304	X
6	Valve upper ring	Graphite	X
7	Valve lower ring	Graphite / S.S.	X
8	Grain	S.S. 304	X
8.a	Bottom Grain	S.S. 304	X
9	Stud	ASTM A193 B7	
10	Nut	ASTM A194 2H	
11	Washer	Carbon Steel	
12	Handwheel	ASTM A105	
13	Handwheel nut	ASTM A194 Gr. 8	
14	Close green indicator	Rubber	X
15	Open red indicator	Rubber	X